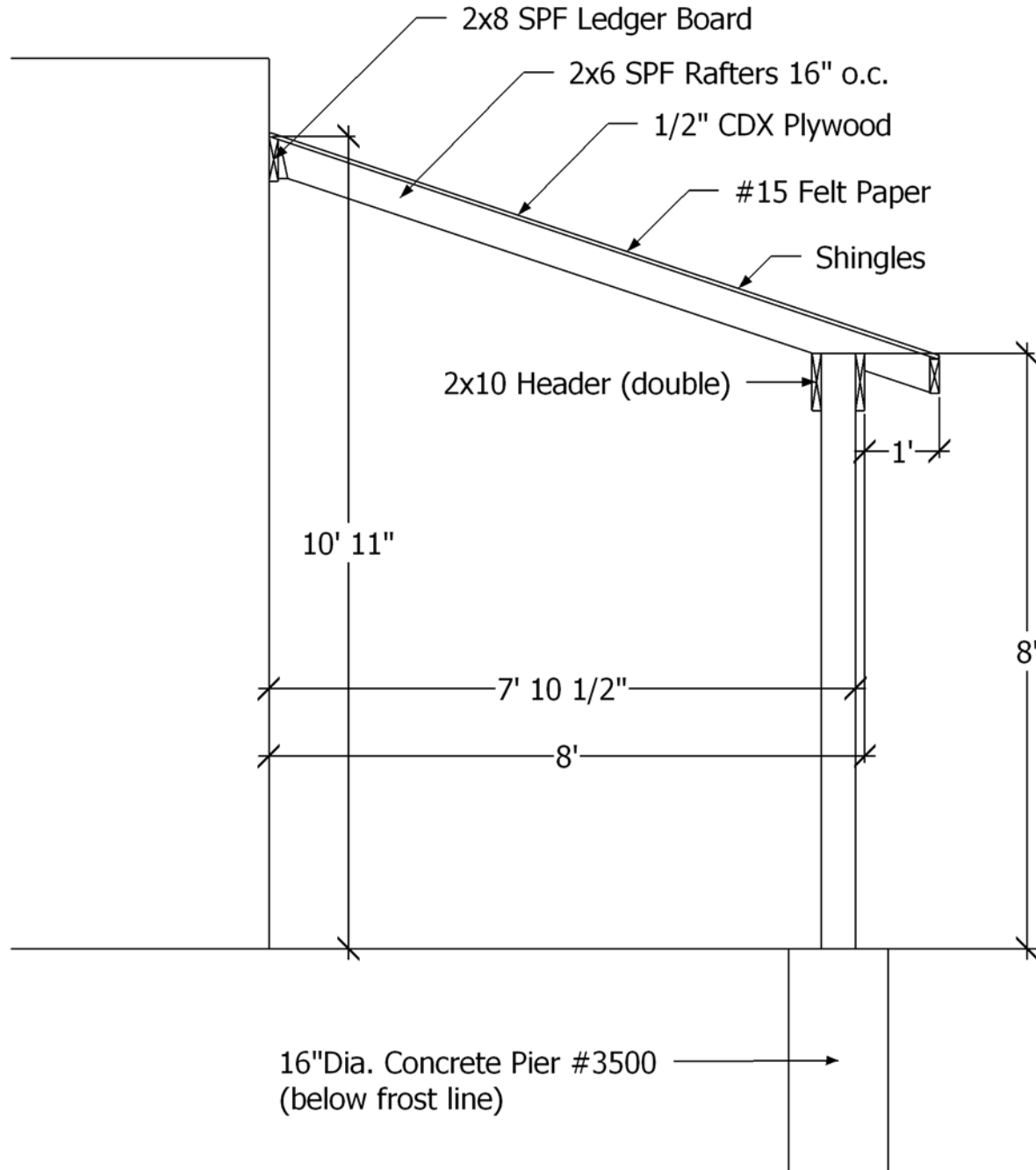


# 8'x24'x8' Lean-to Print Details

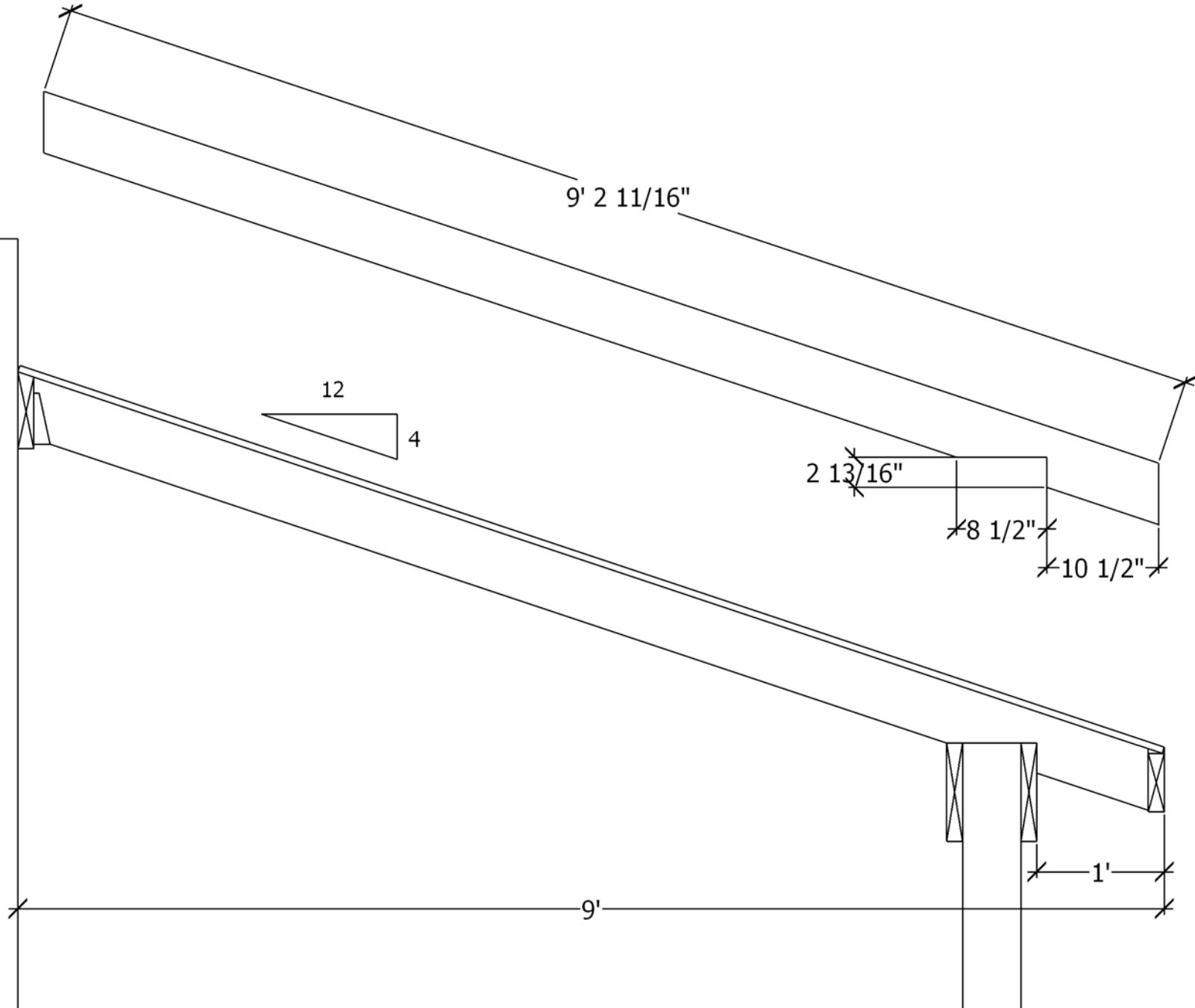




# 8'x24'x8' Lean-to Print Details



# 8'x24'x8' Lean-to Print Details



# 8'x24'x8' Lean-to Print Details

## Materials Needed to Build 8'x24' wide Lean-to Roof

- (3) 6x6x8' Pressure Treated Posts (or longer, if placing posts in ground or higher roof is needed)
- (2) 2x6x8' Pressure Treated for Y-Braces
- (4) 2x10x12' #2 SPF Headers (may also be pressure treated)
- (2) 2x8x12' #2 SPF Ledger Board (or pressure treated if attaching to concrete wall)
- (19) 2x6x10' #2 SPF Rafters (if spacing 16" o.c.). Note: If spacing 24" o.c., use #1 2x6x10' Yellow Pine rafters. If not using fascia, 2 end rafters should be pressure treated.
- (2) 2x6x12' #2 SPF Face Board (or pressure treated if not covering with fascia)
- (17) Joist Hangers (for 2x6 rafters)
- (5) 1.5"x5.5"x10' Metal Fascia
- (3) 10' Flashing (installed at ledger board/wall to prevent leaks)
- (8) 1/2" CDX Plywood (for roof sheathing)
- (1) Roll of #15 Felt Paper
- (5) Aluminum Drip Edge
- (2.5) Squares of Shingles
- Nails, Bolts, Other Hardware