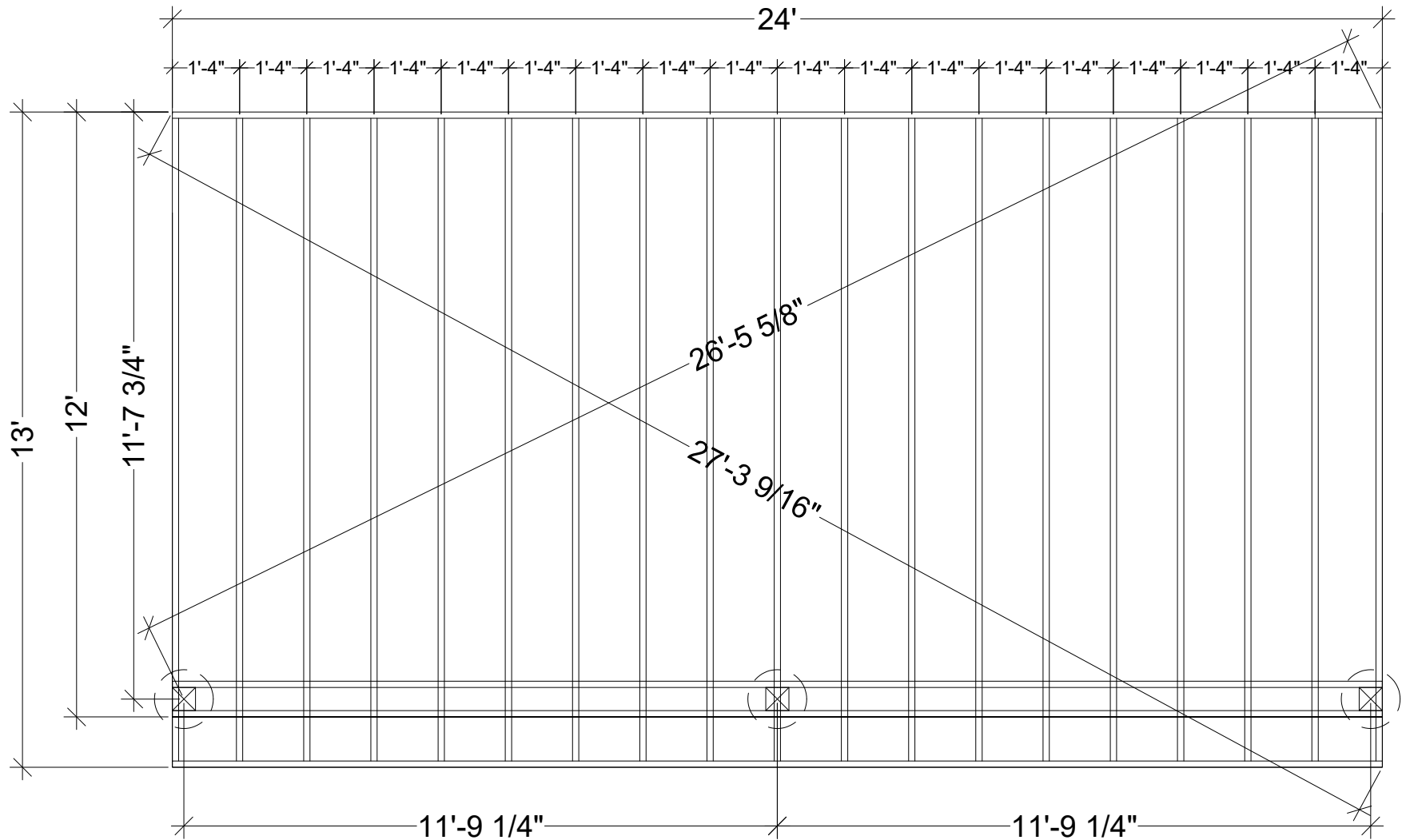
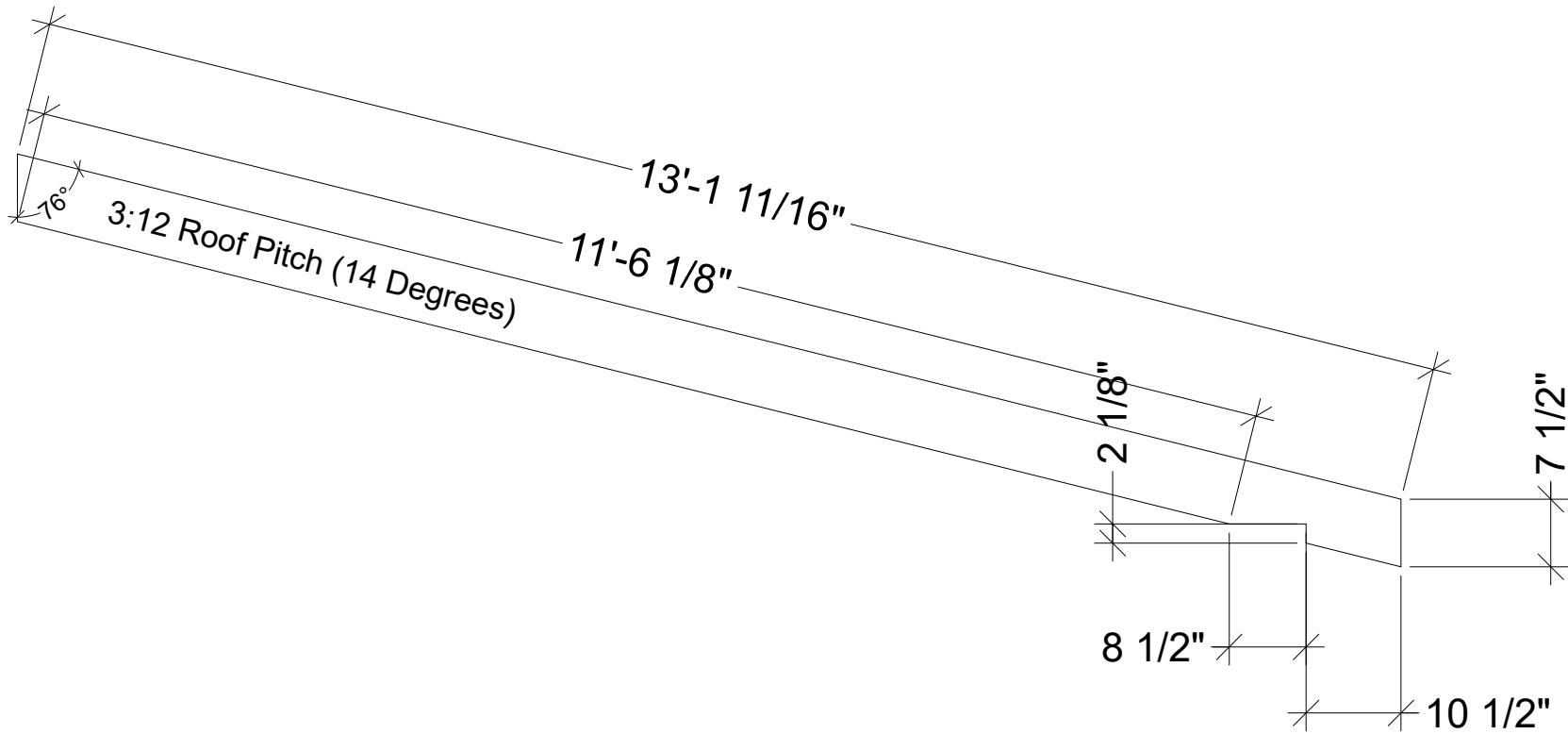


12'x24' LEAN-TO GABLE VIEW



12'x24' LEAN-TO TOP VIEW



12'x24' LEAN-TO RAFTER DIMENSIONS

12'x24'x8' LEAN-TO OVERHANG MATERIAL LIST

- (3) 6x6x8' Pressure Treated Posts (or longer, if placing posts in ground or higher roof is needed)
- (2) 2x6x8' Pressure Treated for Y-Bracing
- (4) 2x12x12' SYP or SPF Headers (use pressure treated if left exposed)
- (2) 2x10x12' #2 SPF Ledger Board (or pressure treated if attaching to concrete wall). Use proper flashing to prevent water getting behind ledger board.
- (19) 2x8x14' #2 SPF Rafters (if spacing 16" o.c.). Note: If spacing 24" o.c., use #1 2x8x14' SYP rafters. If not using fascia, two end rafters should be pressure treated. NOTE: Over 45 PSF snow load – space rafters 12" o.c. or use 2x10 SPF rafters 16" o.c.
- (2) 2x8x12' #2 SPF Face Boards (or pressure treated if not covering with fascia)
- (17) Simpson Joist Hangers for 2x6 or 2x8 rafters
- (6) 1.5"x7.25"x10' Metal or Aluminum Fascia (not needed if exposed pressure treated face boards used)
- (3) 10' Aluminum Flashing (installed at ledger board to prevent leaks)
- (9) 1/2" CDX Plywood or 7/16" OSB Sheathing (use 5/8" plywood if rafters installed 24" o.c.)
- (1) Roll of #15 Felt Paper
- (6) 10' Aluminum Drip Edge
- (3.5) Squares of Shingles
- Nails, Bolts, (3) 6x6 Post Bases, Other Hardware