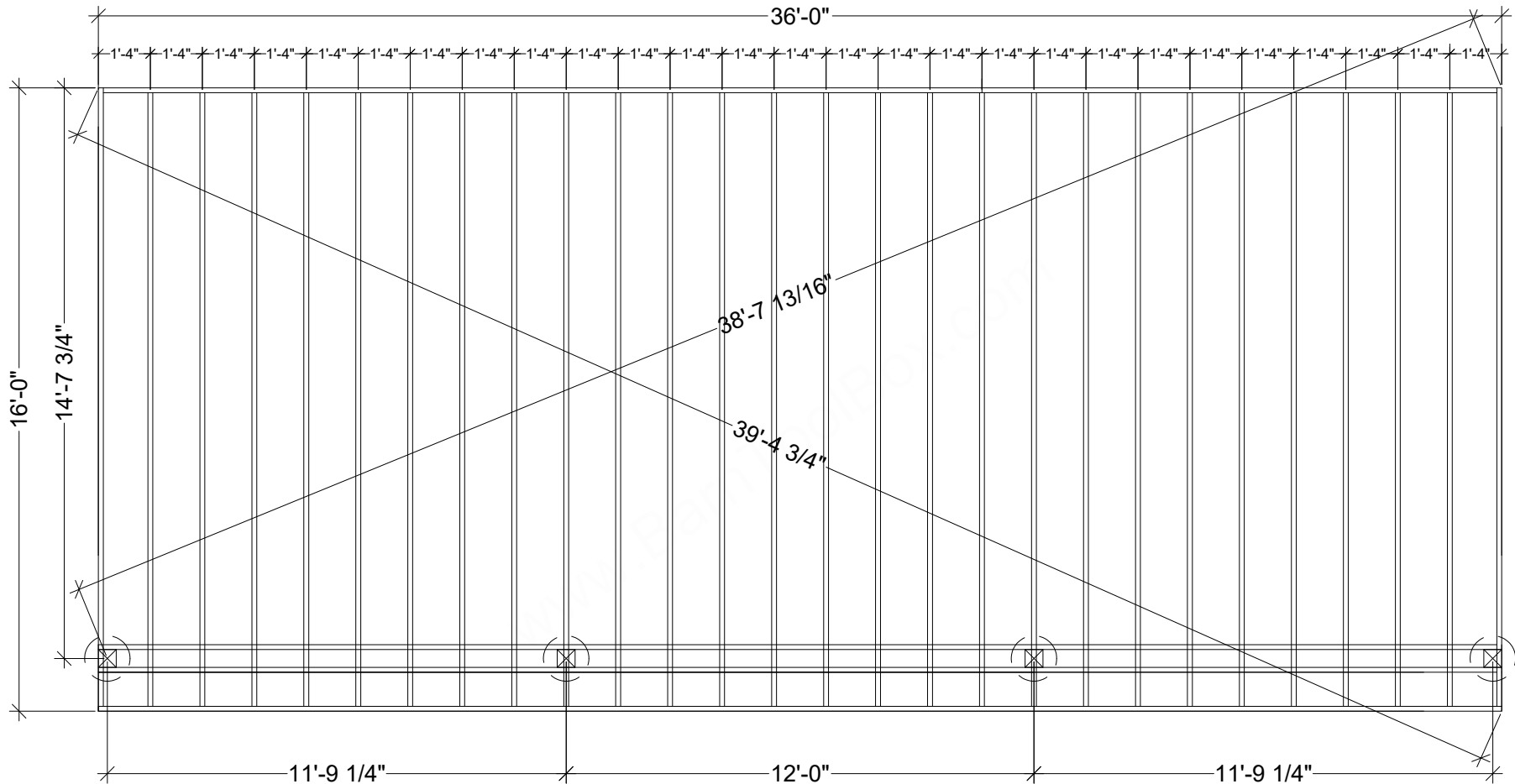
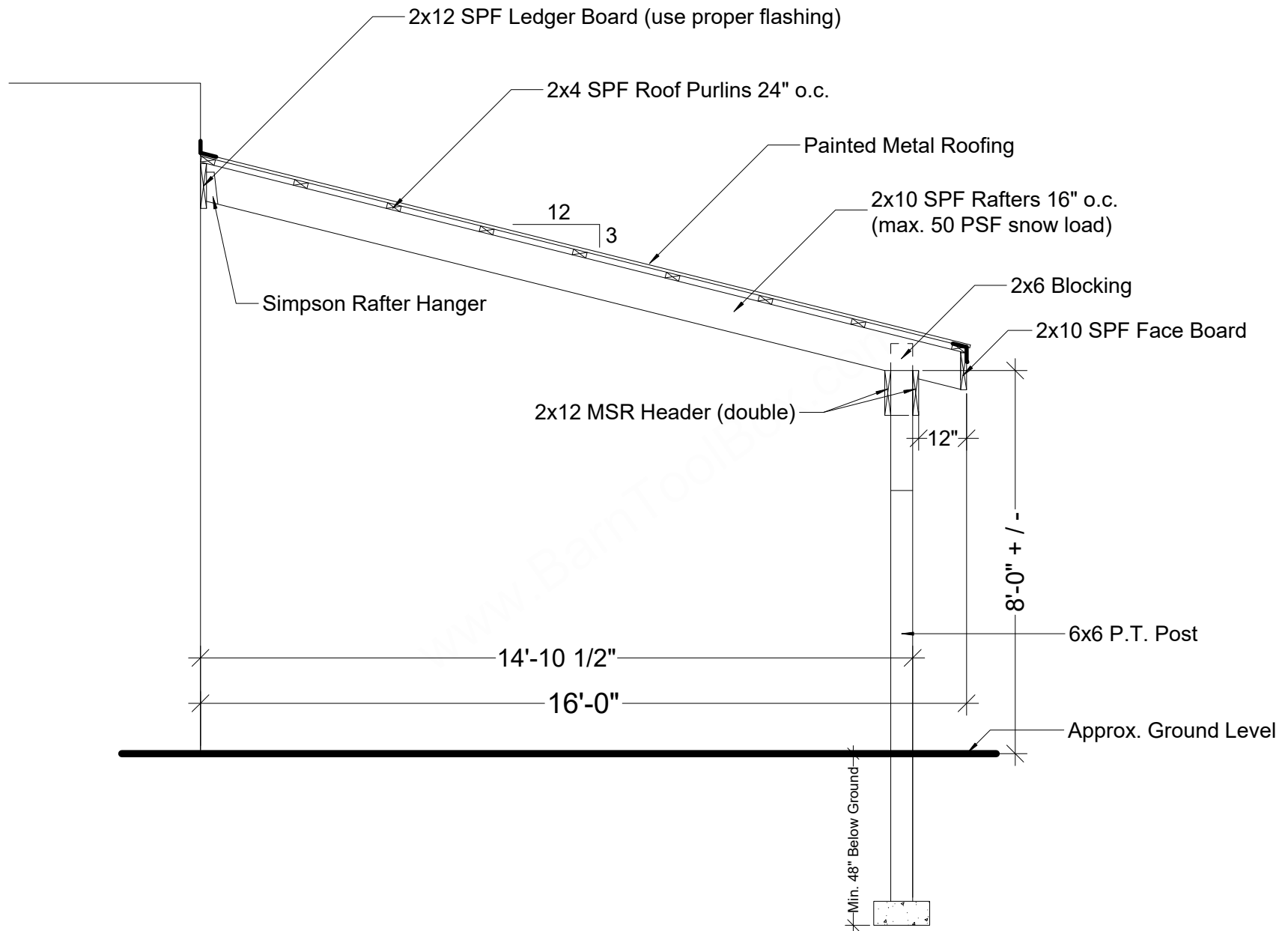


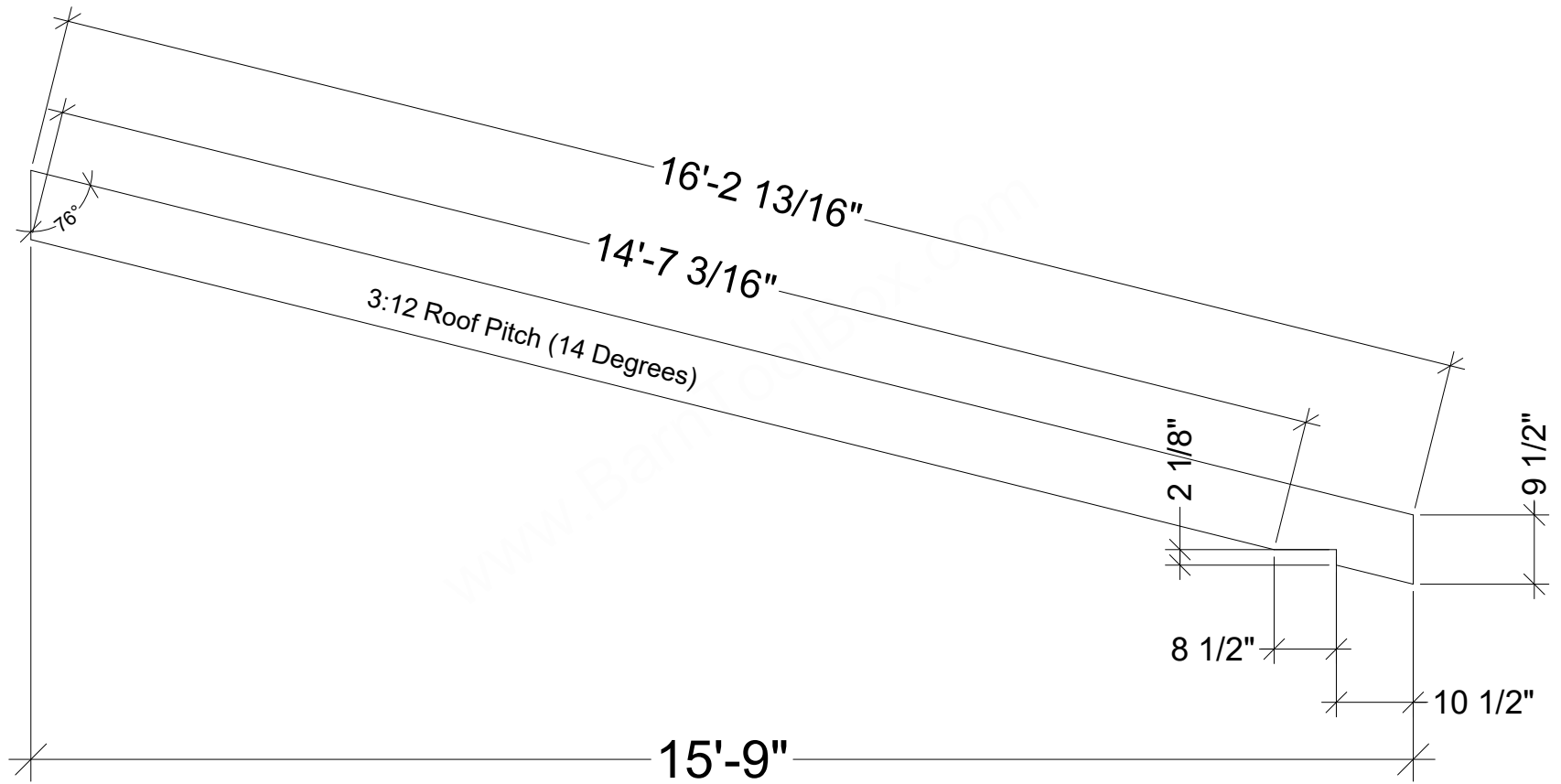
The WWW.BARNTOOLBOX.COM will not be, under any circumstances, be liable to the consumer or end user for any incidental, consequential, special, exemplary, or punitive damages arising out of the use of this drawing. Always confirm with your local engineer or building professional before using this drawing for construction.



16'x36' LEAN-TO OVERHANG (TOP VIEW)



16'x36' LEAN-TO OVERHANG (GABLE)



16'x36' LEAN-TO OVERHANG (RAFTER)