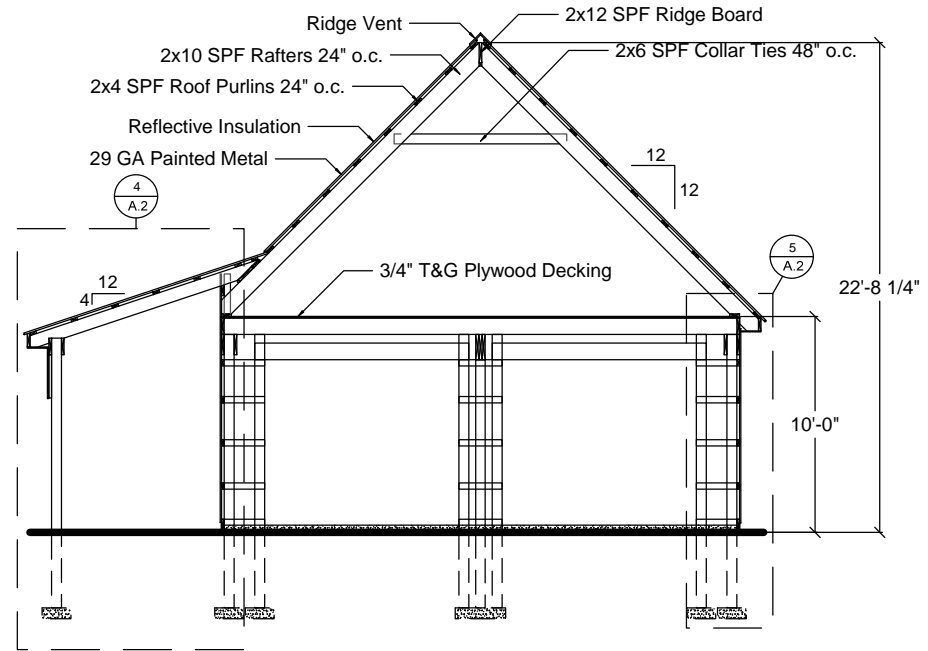
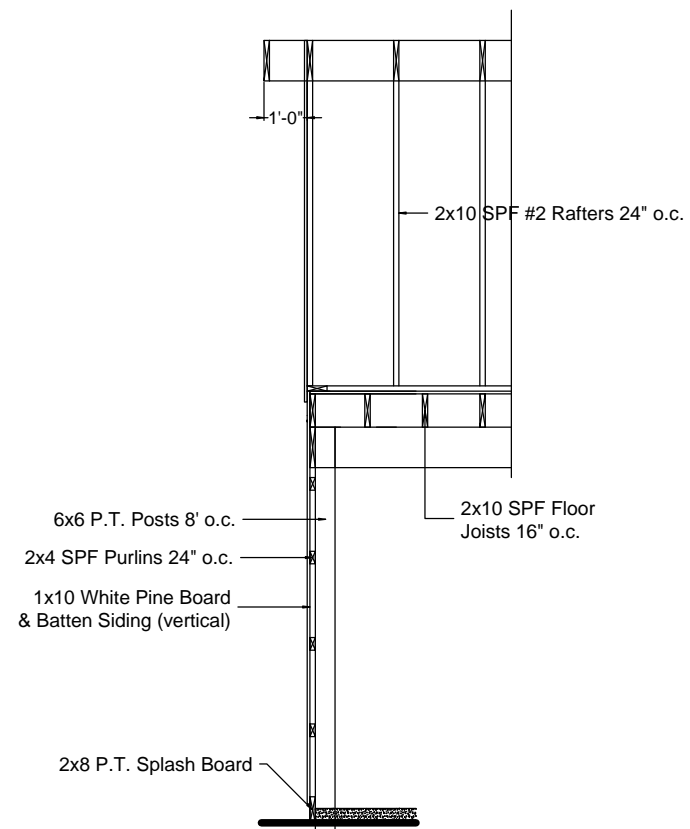


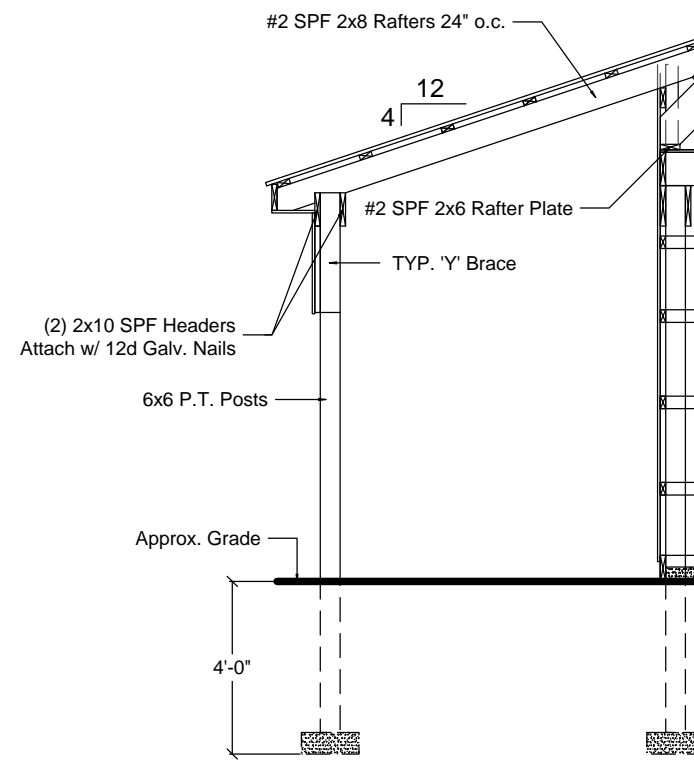
1 FLOOR PLAN  
A.2



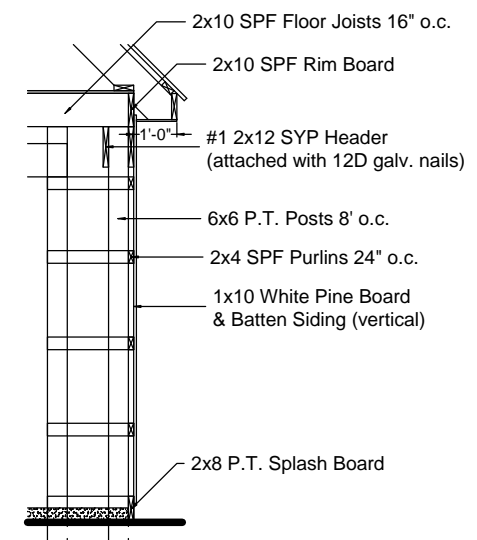
2 BUILDING SECTION  
A.2



3 WALL SECTION  
A.2



4 WALL SECTION  
A.2



5 WALL SECTION  
A.2

24'x24' Garage w/8' Overhang

Property of BarnToolBox.com

The BarnToolBox.com will not be, under any circumstances, be liable for any incidental, sequential, special, exemplary, or punitive damages arising out of the use of this drawing.

Drawn by  
Yezzer  
Copyrighted Material