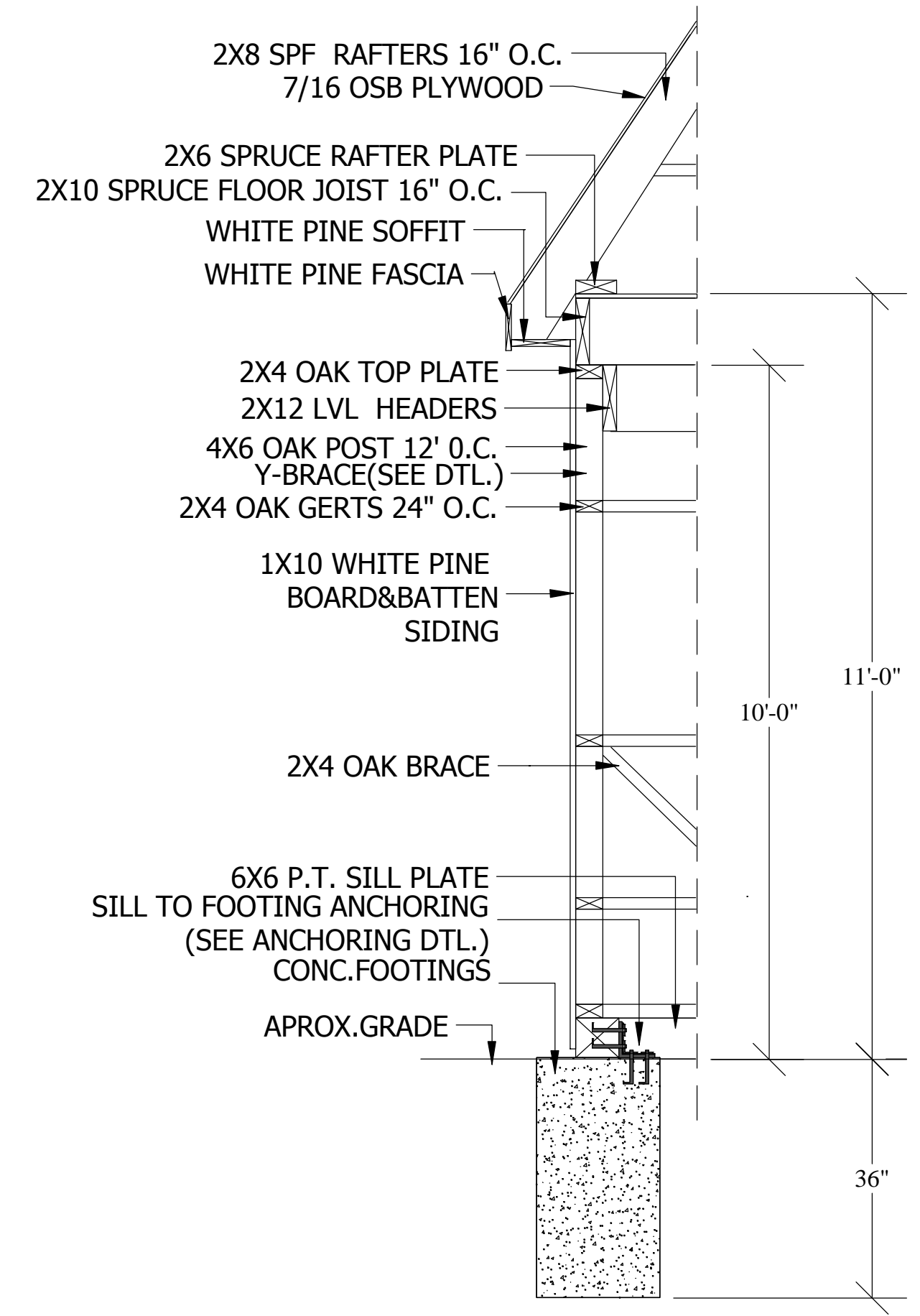
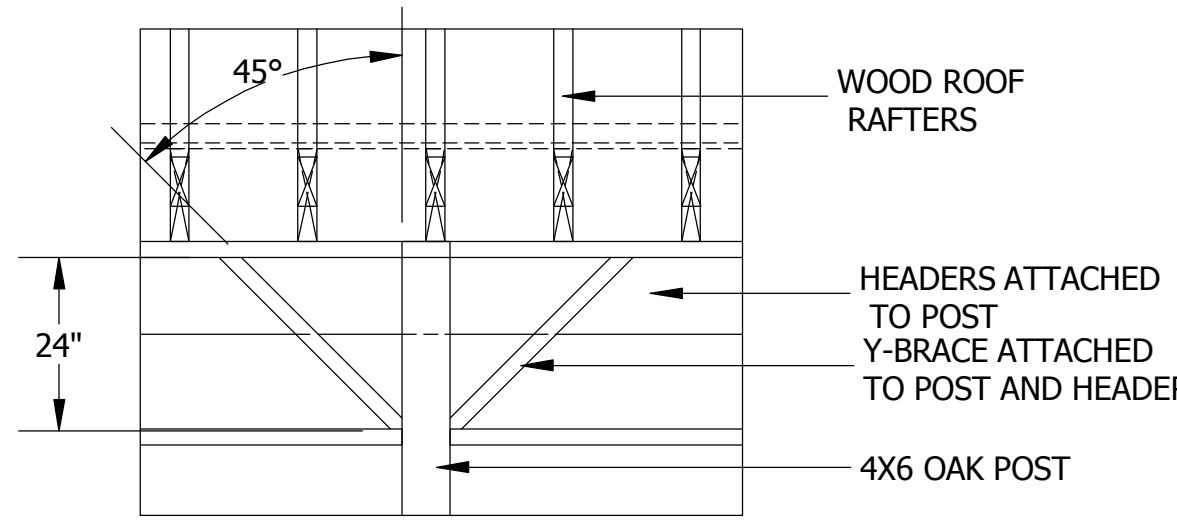


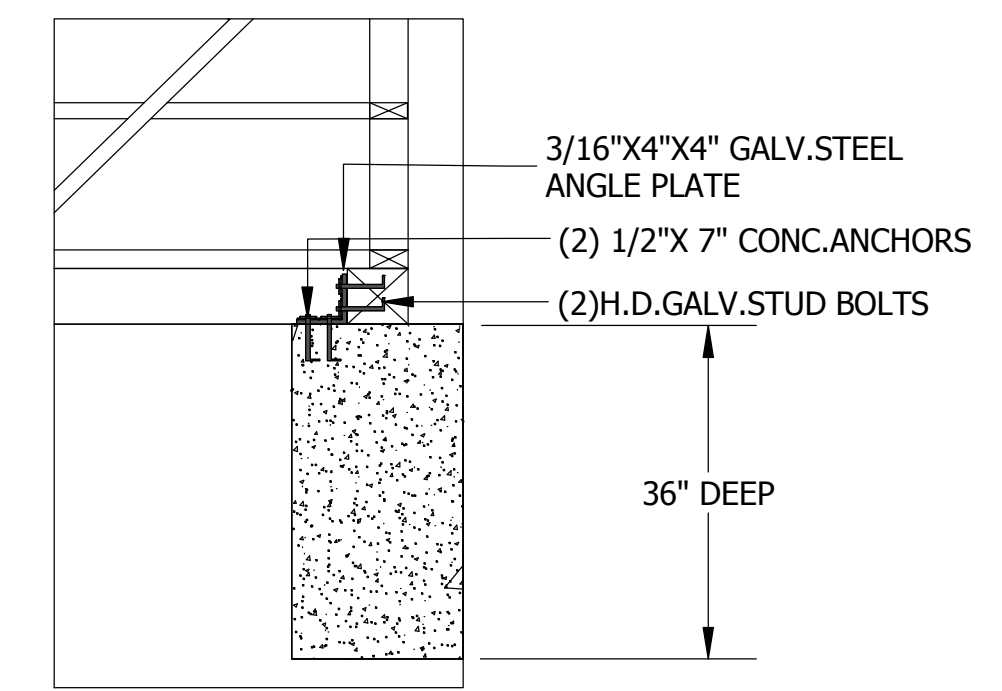
1
A.2
BUILDING SECTION
 $1/2" = 1'-0"$



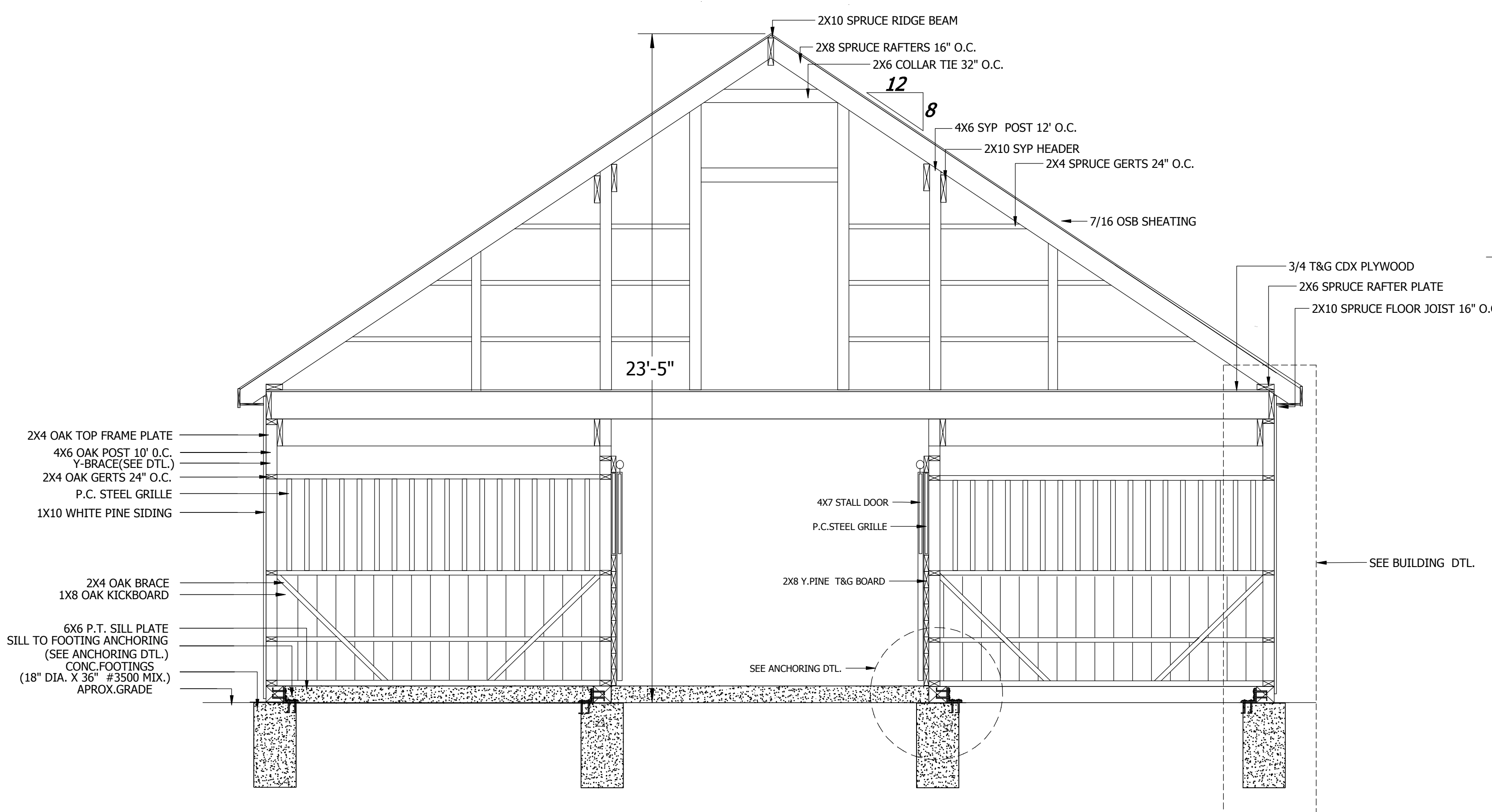
4
A.2
BUILDING SECTION DTL.
 $1/2" = 1'-0"$



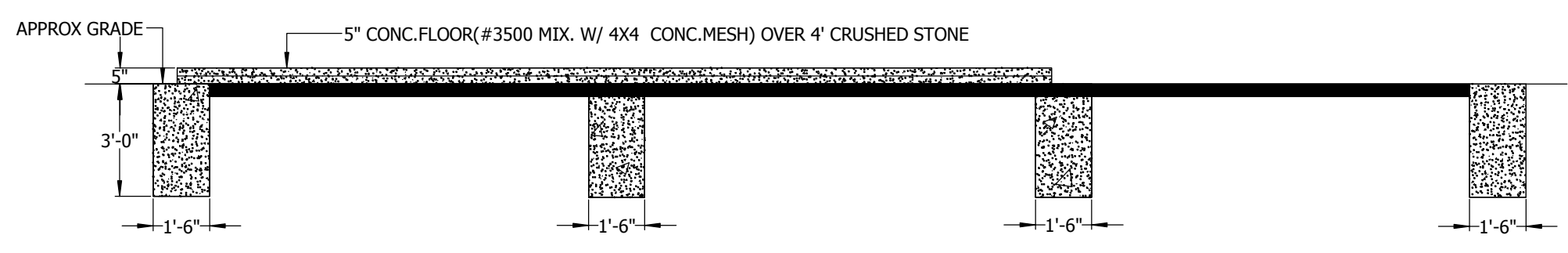
3
A.2
Y-BRACE DTL.
 $1/2" = 1'-0"$



5
A.2
ANCHORING DTL.
 $1/2" = 1'-0"$



2
A.2
BUILDING SECTION
 $1/2" = 1'-0"$



6
A.2
FOUNDATION DTL.
 $1/4" = 1'-0"$

NOT FOR CONSTRUCTION USE

The WWW.BARNTOOLBOX.COM will not be, under any circumstances, be liable to the consumer for any incidental, consequential, special, exemplary or punitive damages arising out of the use of this drawing

36'-0" X 36'-0" BARN

BUILDING SECTIONS
BLD. SECTION DTL.
ANCHORING DTL.
FOUNDATION DTL.

A.2

$1/2" = 1'-0"$