

TO PURCHASE MORE DETAILED PLAN OF THIS GARDEN SHED, PLEASE VISIT:

www.keystonebarns.com/storage-sheds.htm

NOT FOR CONSTRUCTION USE

THE WWW.BARNTOOLBOX.COM WILL NOT BE UNDER ANY CIRCUMSTANCES LIABLE TO THE CONSUMER FOR ANY INCIDENTAL, CONSEQUENTIAL, SPECIAL, EXEMPLARY OR PUNITIVE DAMAGES ARISING OUT OF THE USE OF THESE DRAWINGS.

CONSULT WITH YOUR ENGINEER BEFORE USING THESE DRAWINGS

Copyright 2016 www.BarnToolBox.com All Rights Reserved

The BarnToolBox

10'x12' STORAGE SHED

TITLE

GABLE DETAILS

SIZE

CAGE CODE

DWG NO

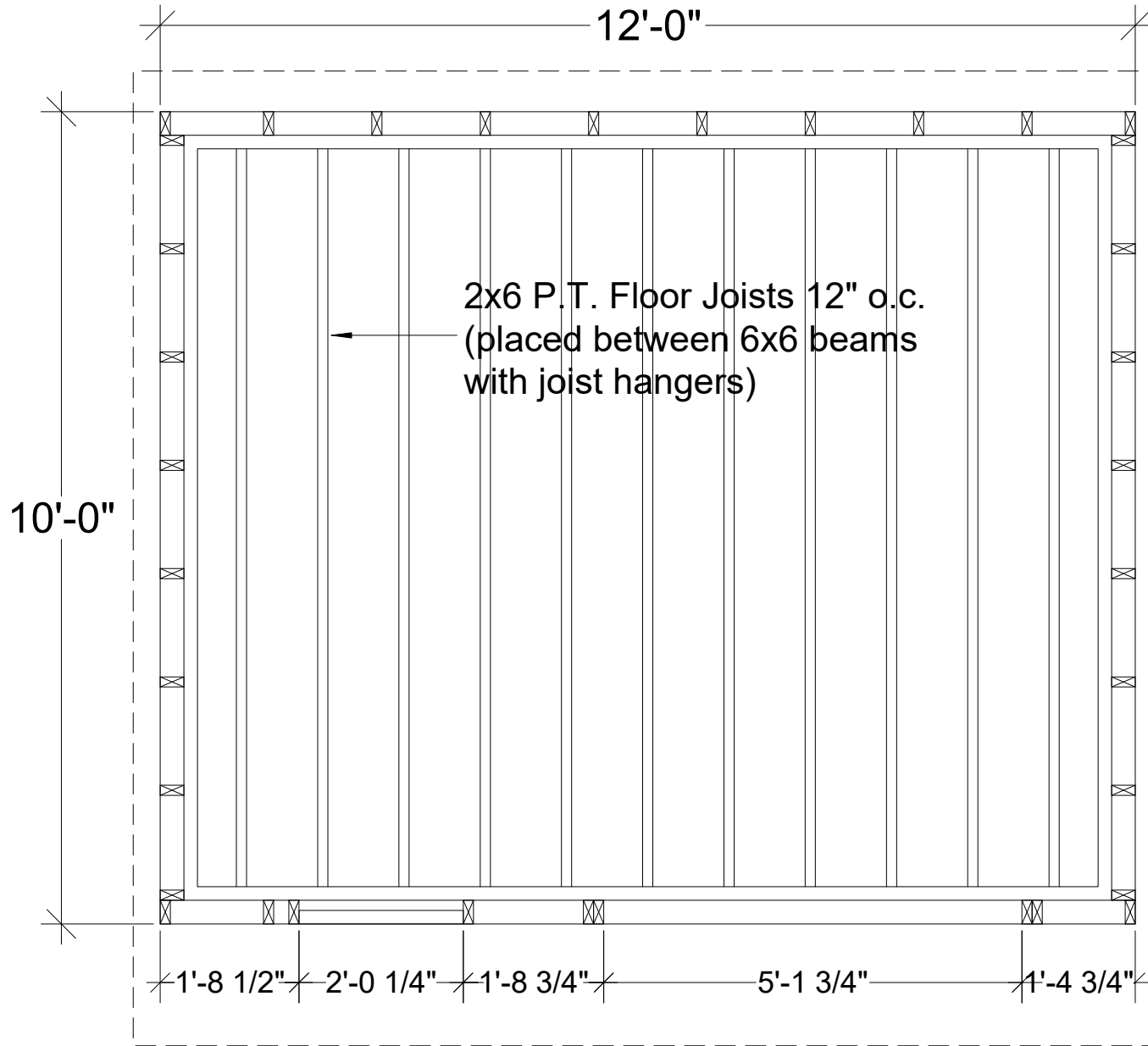
REV

SCALE

3/8" = 1'-0"

SHEET

A.1



DESIGN LOADS:

WIND LOAD:
100 MPH (3 SEC. GUSTS)
90 MPH SUSTAINED

SNOW LOAD:
LIVE LOAD - 40 PSF PLUS DRIFT
DEAD LOAD - ROOF WITH SHINGLES 10 PSF

NOT FOR CONSTRUCTION USE

THE WWW.BARNTOOLBOX.COM WILL NOT BE UNDER ANY CIRCUMSTANCES LIABLE TO THE CONSUMER FOR ANY INCIDENTAL, CONSEQUENTIAL, SPECIAL, EXEMPLARY OR PUNITIVE DAMAGES ARISING OUT OF THE USE OF THESE DRAWINGS.

CONSULT WITH YOUR ENGINEER BEFORE USING THESE DRAWINGS

Copyright 2016 www.BarnToolBox.com All Rights Reserved

SEAL

The BarnToolBox

10'x12' STORAGE SHED

TITLE

FLOOR PLAN

SIZE

CAGE CODE

DWG NO

REV

SCALE

3/8" = 1'-0"

SHEET

A.2