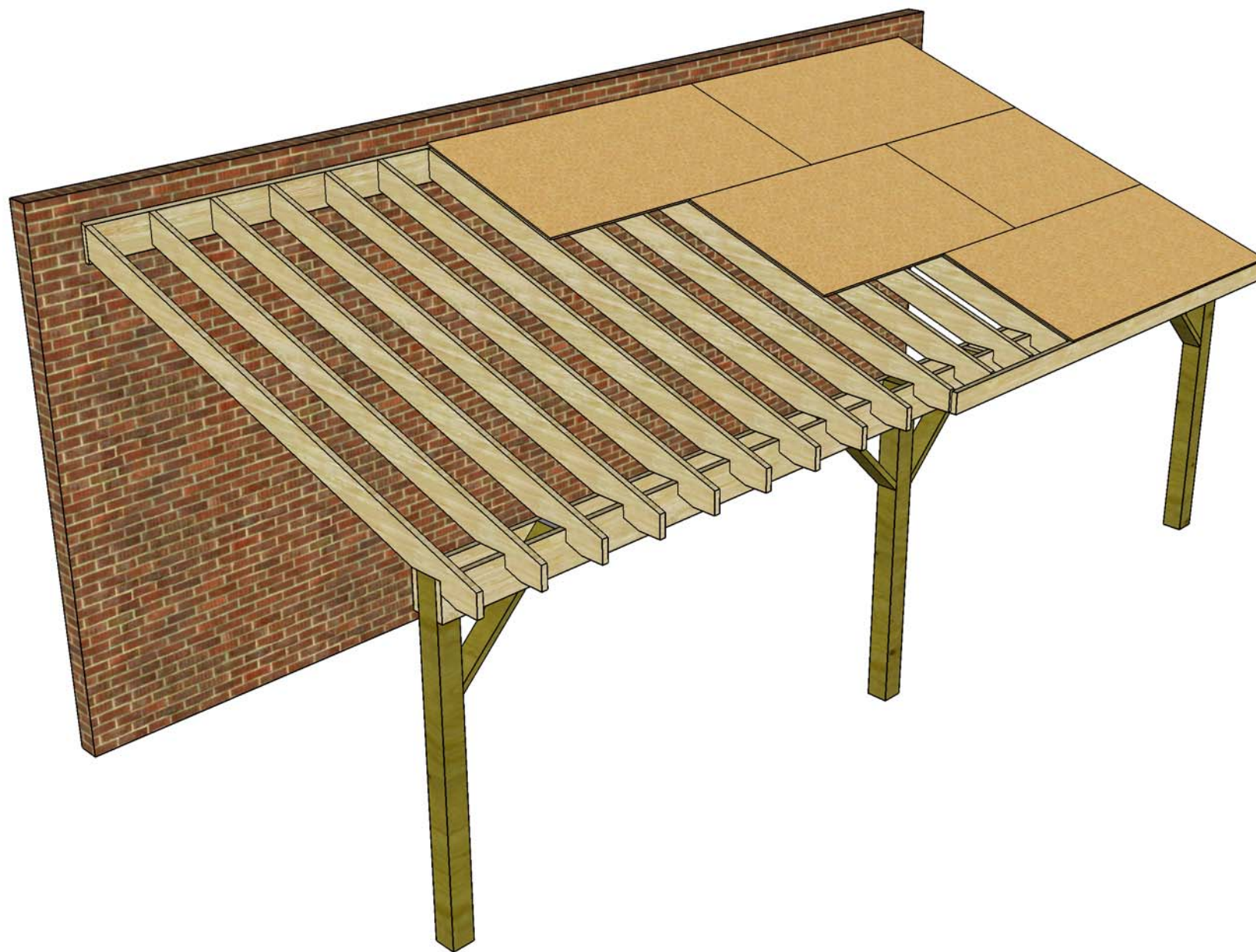
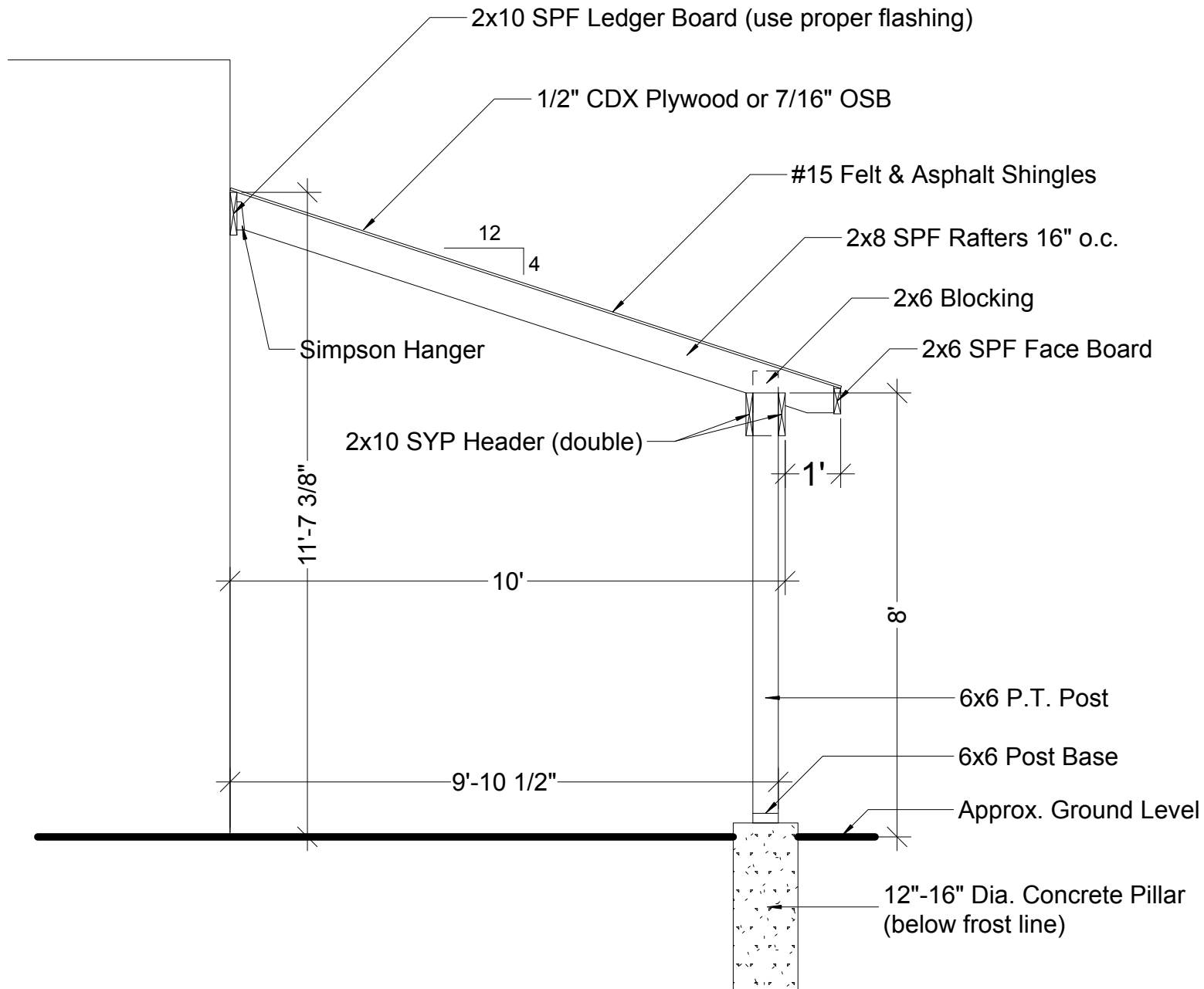
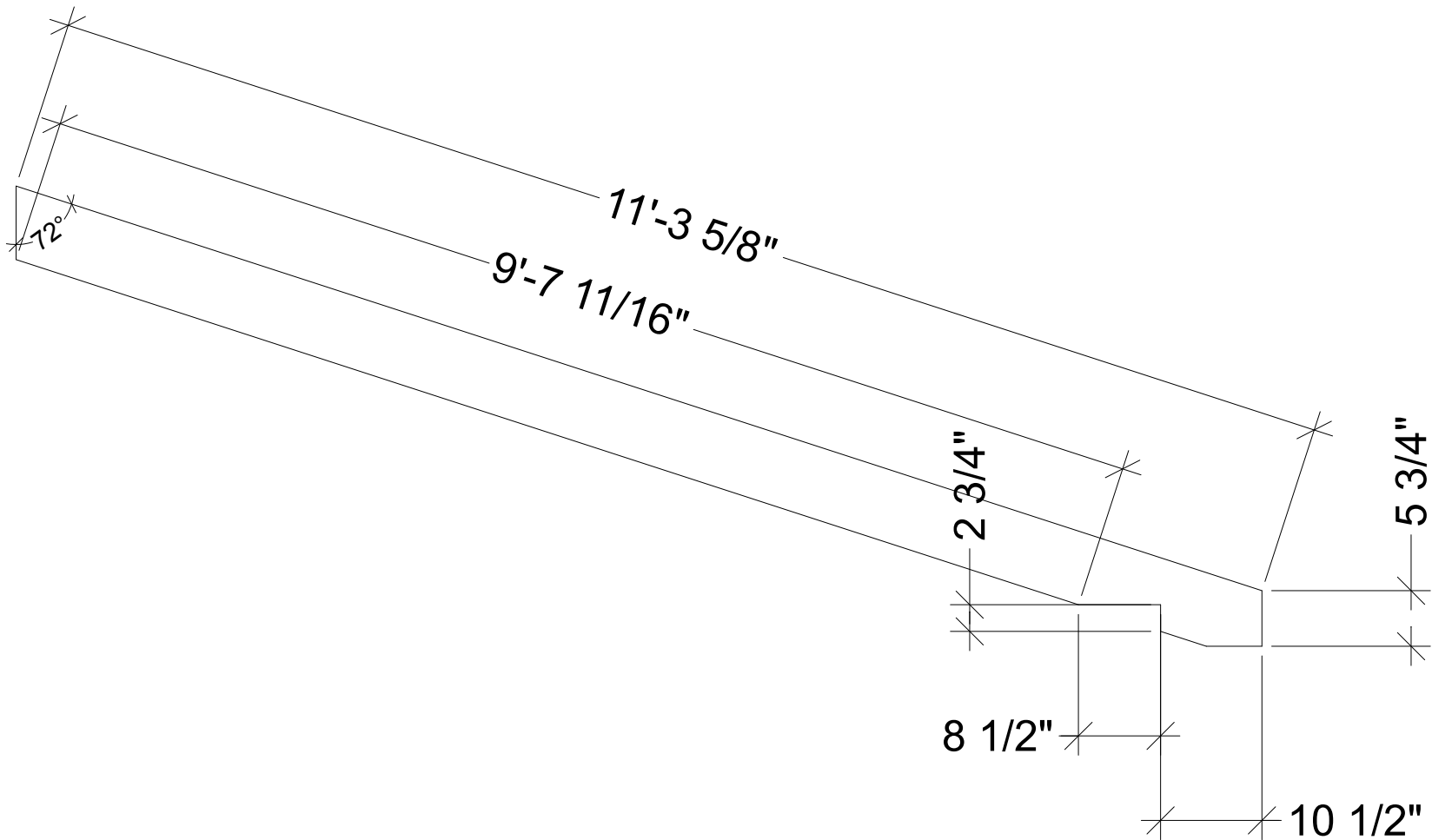


10'x24'x8' LEAN-TO OVERHANG

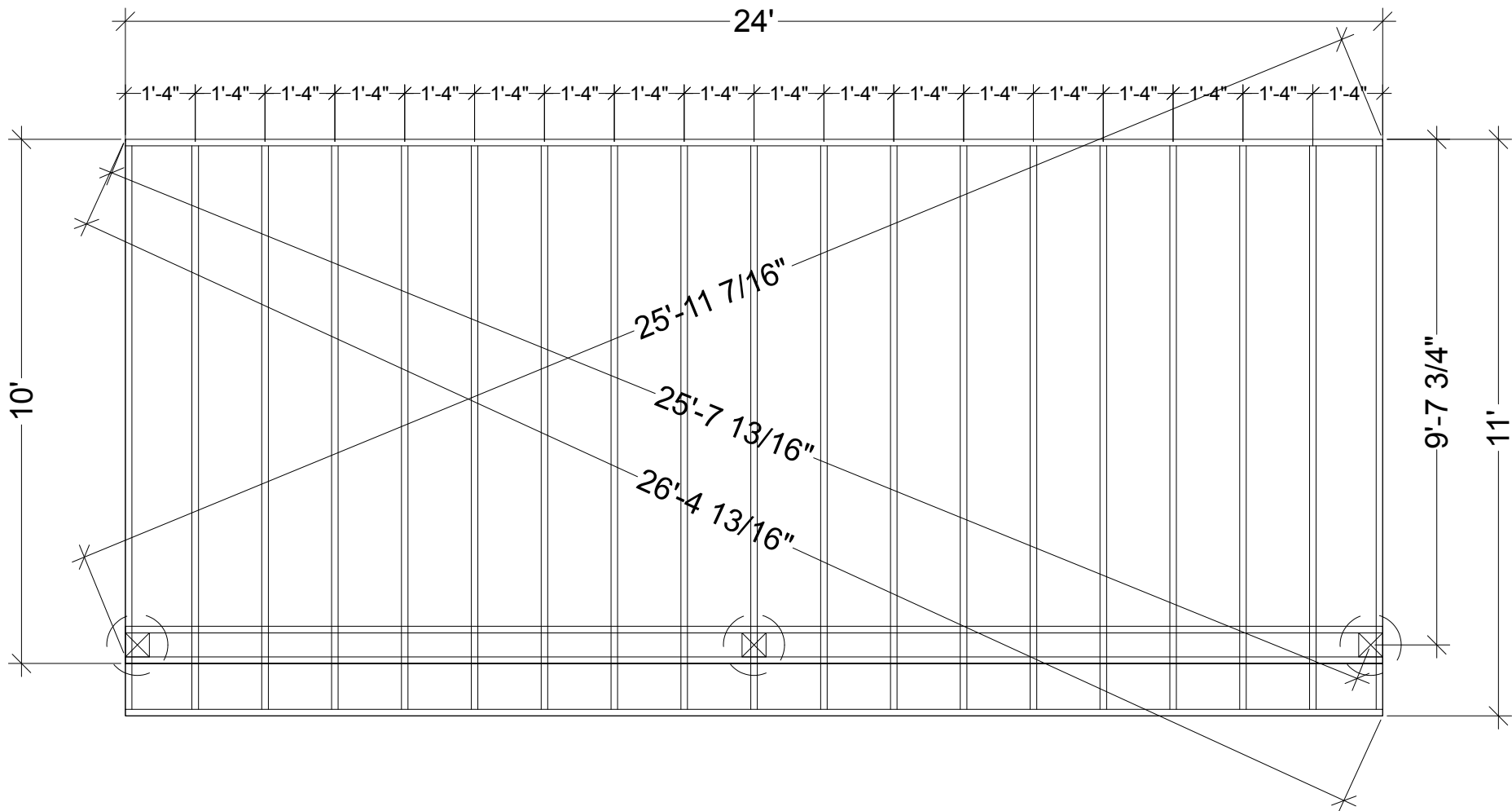




10' WIDE LEAN-TO OVERHANG GABLE DETAILS



10' WIDE LEAN-TO RAFTER DETAIL



10'x24' LEAN-TO TOP VIEW

10'x24'x8' LEAN-TO OVERHANG MATERIAL LIST

- (3) 6X6X8' Pressure Treated Posts (or longer, if placing posts in ground or higher roof is needed)
- (2) 2x6x8' Pressure Treated for Y-Bracing
- (4) 2x10x12' SYP or SPF Headers (may also be pressure treated)
- (2) 2x10x12' #2 SPF Ledger Board (or pressure treated if attaching to concrete wall). Use proper flashing to prevent water getting behind ledger board.
- (19) 2x8x12' #2 SPF Rafters (if spacing 16" o.c.). Note: If spacing 24" o.c., use #1 2x8x12' SYP rafters. If not using fascia, two end rafters should be pressure treated.
- (2) 2x6x12' #2 SPF Face Boards (or pressure treated if not covering with fascia)
- (17) Simpson Joist Hangers for 2x6 or 2x8 rafters
- (5) 1.5"x5.5"x10' Metal or Aluminum Fascia
- (3) 10' Aluminum Flashing (installed at ledger board to prevent leaks)
- (9) 1/2" CDX Plywood or 7/16" OSB Sheathing (use 5/8" plywood if rafters installed 24" o.c.)
- (1) Roll of #15 Felt Paper
- (5) 10' Aluminum Drip Edge
- (3) Squares of Shingles
- Nails, Bolts, (3) 6x6 Post Bases, Other Hardware